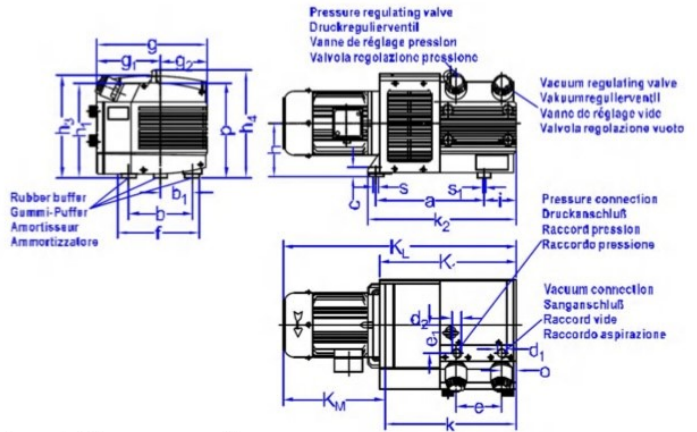


Dry Rotary Vane Vacuum Pump

DVT60 DVT80 DVT100 DVT140



Technical Parameters

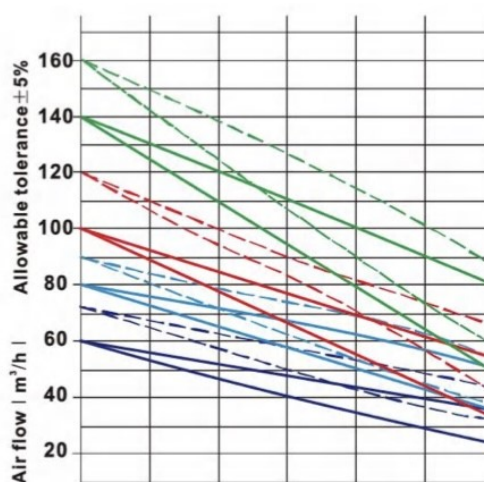
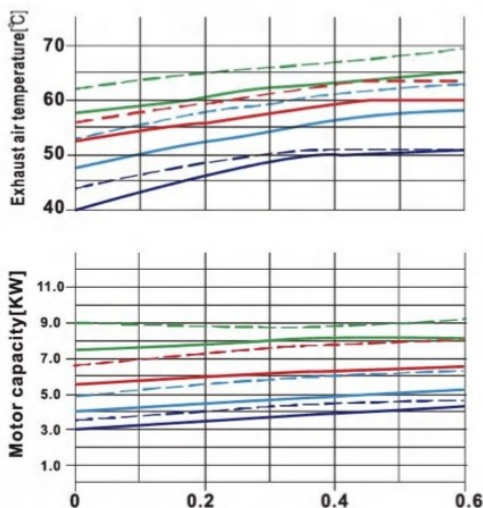
Model	Air Flow		Motor Power(KW)		Motor Power(V)		Motor Speed(rpm)		Sound level		vacuum (mbar)	pressure (mbar)	Weight (Kg)
	m3/h		3 phase		3 phase		3 phase		dB(A)				
	50Hz	60Hz	5Hz	60Hz	50Hz	60Hz	50Hz	60Hz	50Hz	60Hz			
DVT 60	60	72	3	3.6	230/400V±10%	230/400V±10%	1420	1700	75	76	-600	+600	74
DVT 80	80	96	4	4.8	230/400V±10%	230/400V±10%	1420	1700	75	76	-600	+600	79
DVT 100	100	120	5.5	6.6	230/400V±10%	230/400V±10%	1420	1700	77	78	-600	+600	129.0
DVT 140	140	168	7.5	9	230/400V±10%	230/400V±10%	1420	1700	78	79	-600	+600	140

Mounting Dimension:

measure: mm

Type	a	b	b1	c	d1	d2	e	e1	f	g	g1	g2	h	h1	h3	h4	l	k	k1	k2	km	kl	o	p	s1
DVT 60	327	190	95	33	G1	G1	138	65	235	355	189	150	161	275	314	331	93	401	414	451	330	728	50	289	M8
DVT 80	327	190	95	33	G1	G1	138	65	235	355	189	150	161	275	314	331	93	401	414	451	330	731	50	289	M8
DVT 100	411	245	134	33	G1-1/2	G1-1/2	234	95	295	470	232	221	162	335	376	382	146	527	543	570	374	895	24	336	M8
DVT 140	402	245	134	33	G1-1/2	G1-1/2	234	95	295	470	232	221	162	335	376	382	146	527	543	570	398	925	24	336	M8

Performance Data



1 refers to atmospheric pressure
2 refers to intake pressure

Reference:1000mbar
Atmosphere: 20°C

Vacuum[bar]

- DVT60
- DVT80
- DVT100
- DVT140
- 50Hz
- 60Hz